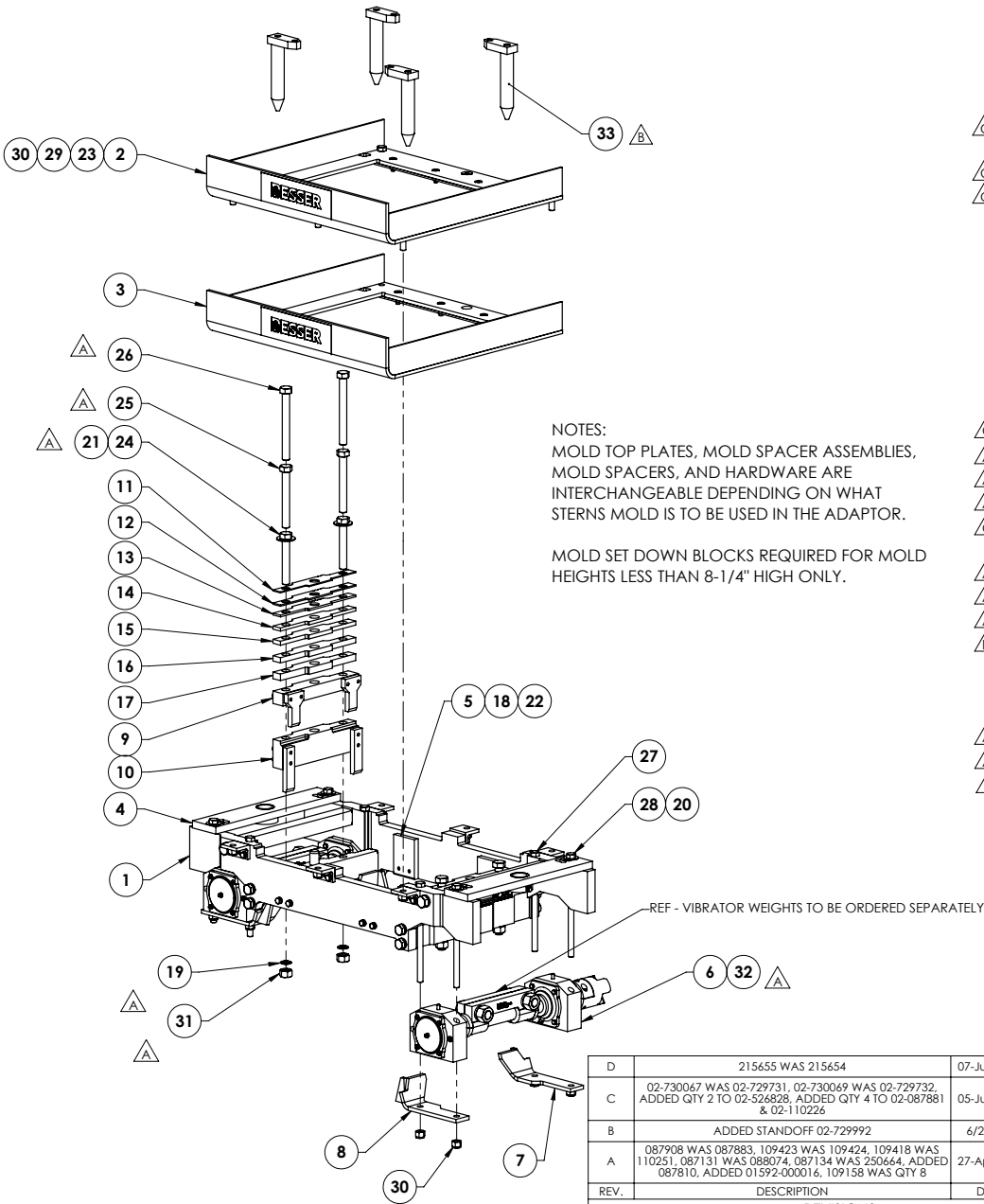


SIMILAR TO:



ITEM	Default /QTY.	PART NUMBER	DESCRIPTION
1	1	02-729714	MOLD FRAME, STERNS MOLD ADAPTOR
2	1	02-729722	MOLD TOP PLATE, 16.5 MOLD
3	1	02-729726	MOLD TOP PLATE, 18.5 MOLD
4	2	02-729729	PIN GUIDANCE BAR, V3-SELECT
5	4	02-526828	MOLD SET DOWN BLOCK
6	2	02-526793	VIBRATOR ASSEMBLY, 22.047" SIDE BAR CENTERS
7	2	02-730067	PALLET GUIDE, STERNS MOLD ADAPTOR, RH
8	2	02-730069	PALLET GUIDE, STERNS MOLD ADAPTOR, LH
9	2	02-729733	MOLD SPACER ASSEMBLY, 1.938H
10	2	02-729736	MOLD SPACER ASSEMBLY, 3.938H
11	2	02-729739	MOLD SPACER, .135" THICK
12	2	02-729740	MOLD SPACER, .188" THICK
13	2	02-729741	MOLD SPACER, .250" THICK
14	2	02-729742	MOLD SPACER, .438" THICK
15	2	02-729743	MOLD SPACER, .563" THICK
16	2	02-729744	MOLD SPACER, .750" THICK
17	2	02-729745	MOLD SPACER, .938" THICK
18	8	087881	REG. LOCK WASHER 1/2"
19	4	087908	1.000 SHAKEPROOF WASHER
20	4	109158	REG. FLAT WASHER 3/4"
21	4	109423	REG. FLAT WASHER 1"
22	8	110226	.500-13 X 2.250 L.- H.H.C.S.
23	4	105405	.750-10 X 2.000 L. H.H.C.S.
24	4	109418	1.000-8 X 6.500 L.- HHCS
25	4	087131	1.000-8 X 8.000 L.- HHCS
26	4	087134	1.000-8 X 9.500 L.- HHCS
27	4	215655	0.750-10 X 13.500 HX HD CAP SCREW GRADE 8 - SPECIAL
28	4	215656	VIBRATOR BOLT - HEX. HEAD CAP SCREW 3/4"-10NC x 14" LG. - (GRADE 8)
29	2	089597	.75-10x1 FL SOC HD CAP SCREW
30	14	01211-000006	NYLON INSERT LOCKNUT, 3/4-10 UNC
31	4	087810	1.000-8 UNC HEX NUT
32	4	01592-000016	COLLAR, SPLIT, 1.938
33	4	02-729992	STEARNS MOLD HEAD ADAPTER STANDOFF SOP

NOTES:
MOLD TOP PLATES, MOLD SPACER ASSEMBLIES, MOLD SPACERS, AND HARDWARE ARE INTERCHANGEABLE DEPENDING ON WHAT STERNS MOLD IS TO BE USED IN THE ADAPTOR.

MOLD SET DOWN BLOCKS REQUIRED FOR MOLD HEIGHTS LESS THAN 8-1/4" HIGH ONLY.

REF - VIBRATOR WEIGHTS TO BE ORDERED SEPARATELY

REV.	DESCRIPTION	DATE	PAR / BY
D	215655 WAS 215654	07-Jun-2017	DRK
C	02-730067 WAS 02-729731, 02-730069 WAS 02-729732, ADDED QTY 2 TO 02-526828, ADDED QTY 4 TO 02-087881 & 02-110226	05-Jun-2017	DRK
B	ADDED STANDOFF 02-729992	6/2/2017	LLA
A	087908 WAS 087883, 109423 WAS 109424, 109418 WAS 110251, 087131 WAS 089074, 087134 WAS 250664, ADDED 087810, ADDED 01592-000016, 109158 WAS QTY 8	27-Apr-2017	RW
REV.	DESCRIPTION	DATE	PAR / BY

THE INFORMATION CONTAINED IN THIS DRAWING IS THE SOLE PROPERTY OF THE BESSER COMPANY. REPRODUCTION IN PART OR WHOLE WITHOUT WRITTEN PERMISSION FROM BESSER IS PROHIBITED.			SCORER REV. #
COMMENTS:			
MODEL NO: V3-SELECT	NEXT ASSY:	DRAWING LEVEL:	
HEAT TREAT CODE:	SURFACE COAT CODE:	WEIGHT: 1474.0020 LBS.	
TOLERANCE UNLESS OTHERWISE SPECIFIED:			
DECIMAL: .XXXX" = ±.0005"	XXX" = ±.005"	DRAWN: RW	DATE: 07-Mar-2017
.XX" = ±.06"		CHKD:	
FRACTIONAL: ±1/16"		APPD:	
SCALE: 1:16	DO NOT SCALE		



ADAPTOR, STERNS MOLDS, SERVOPAC SELECT

SIZE B	DWG. NO. 02-729713	SHEET 1 OF 1	REV. D
------------------	------------------------------	--------------	------------------