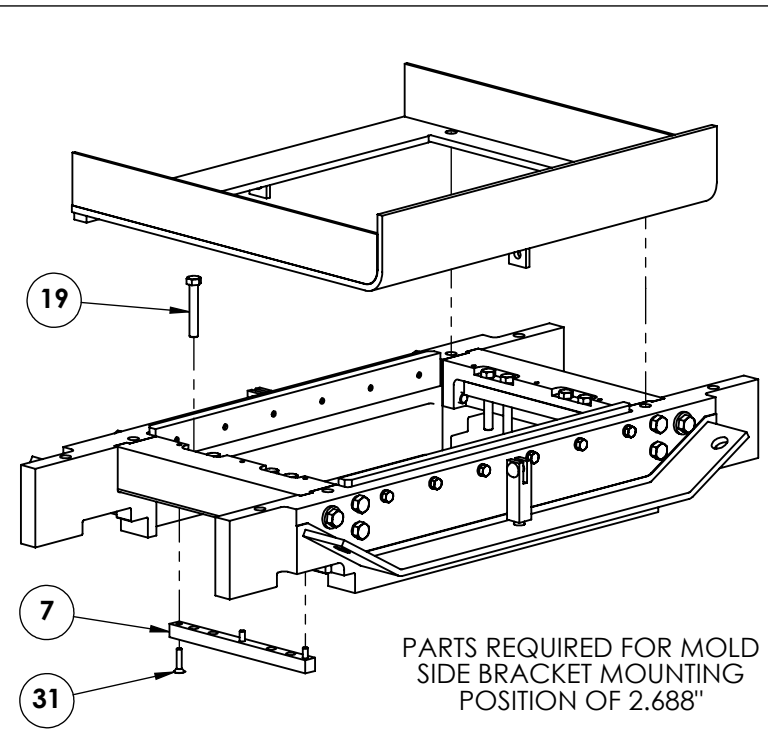
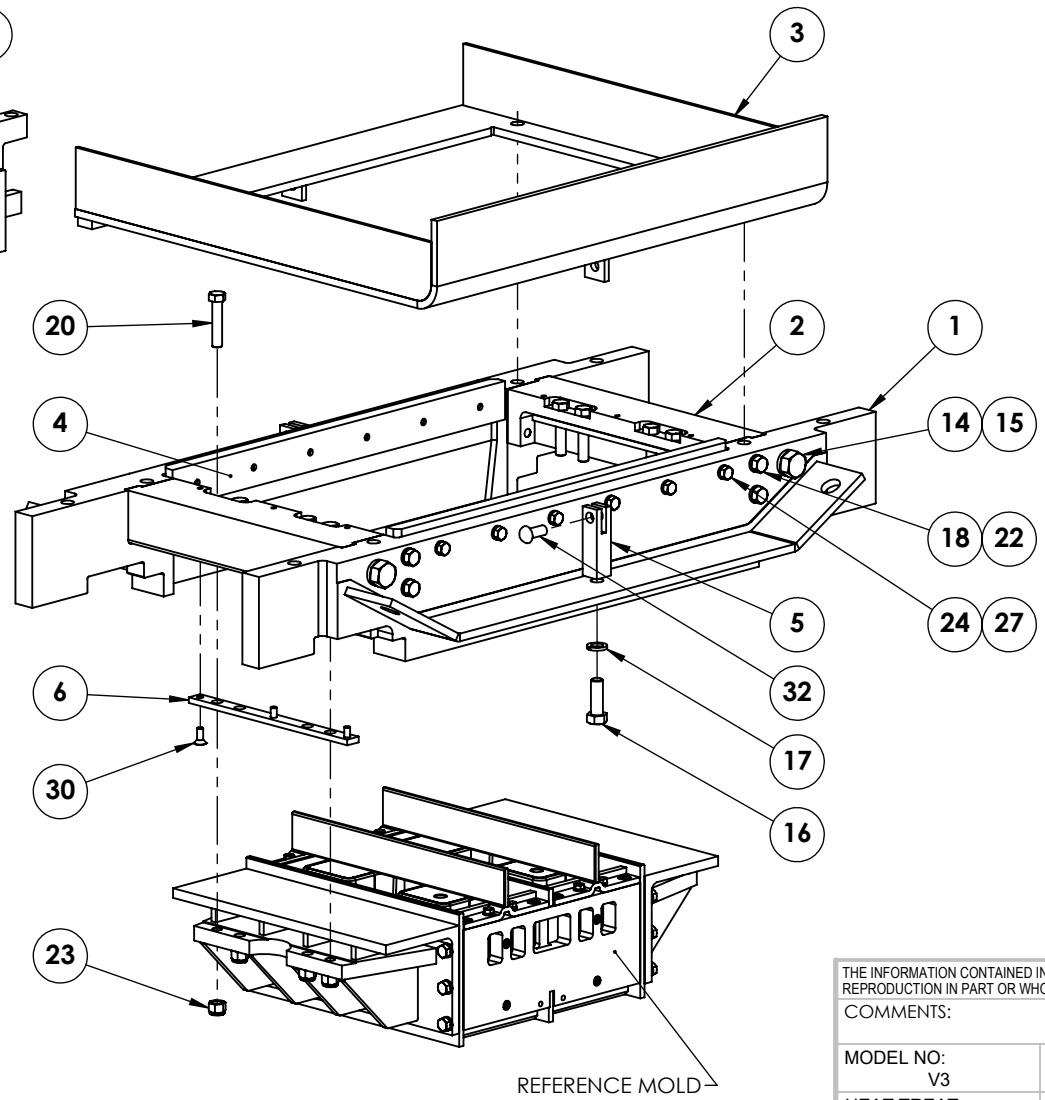
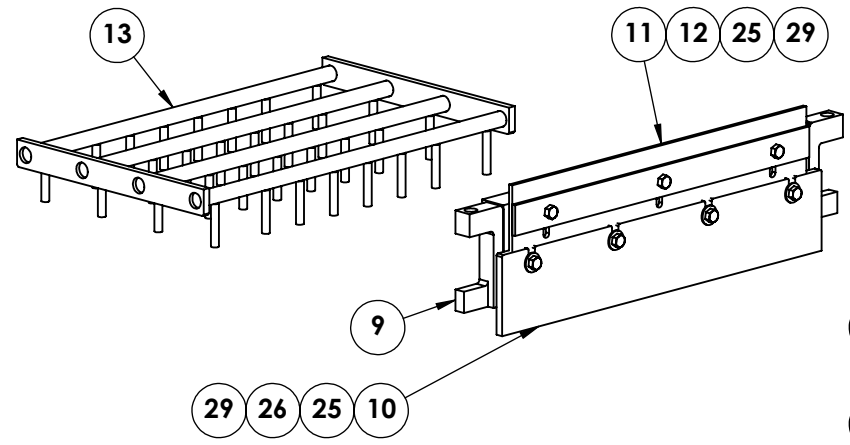
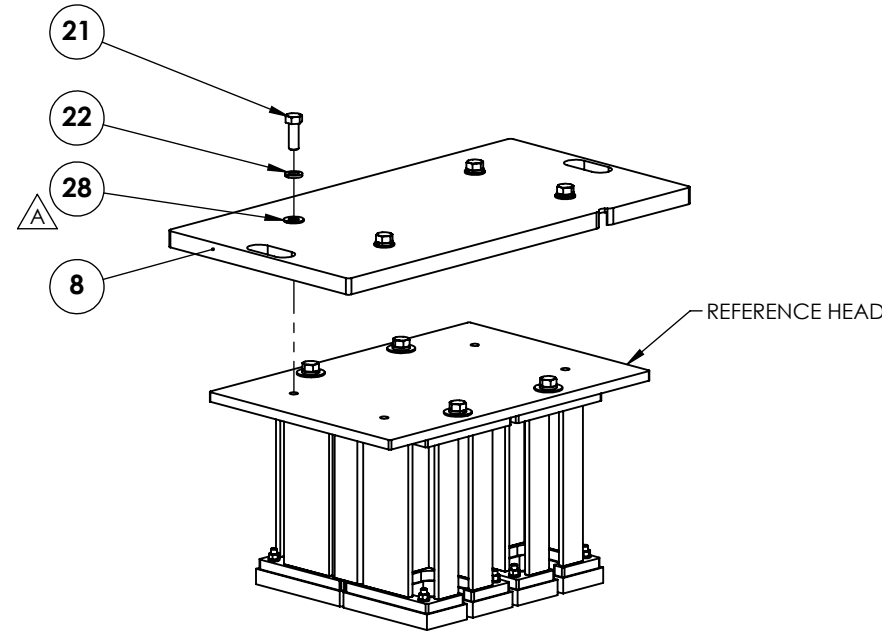
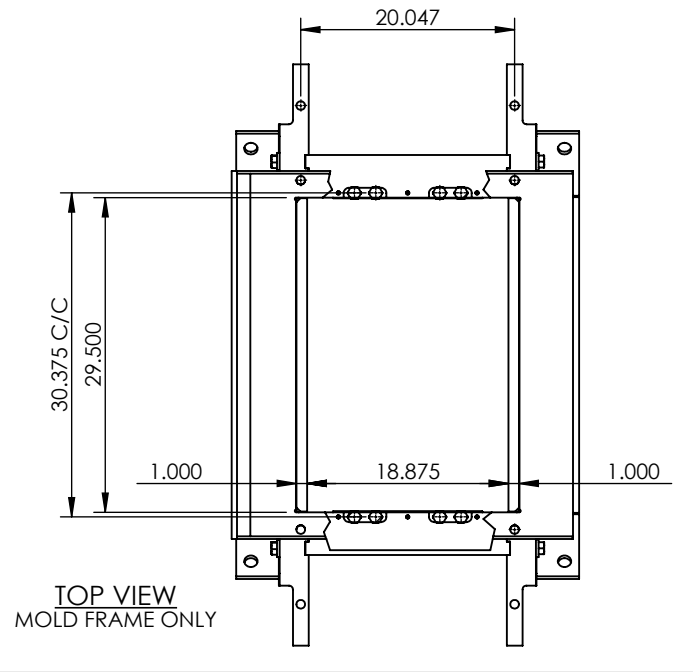


SIMILAR TO:



ITEM	QTY	PART NUMBER	DESCRIPTION
1	2	10-575827	MOLD SIDE BAR
2	2	10-575828	MOLD END BAR
3	1	10-575453	MOLD TOP PLATE
4	2	10-575454	FILLER
5	2	014129	HOLDING LINK
6	2	10-575829	3/8" SPACER
7	2	10-574205	1" SPACER
8	1	10-575830	STRIPPER HEAD PLATE
9	1	02-346132	CUT OFF BAR SUB-ASS'Y
10	1	369725	CUT OFF BLADE
11	1	02-017166	WIPER RUBBER
12	1	02-346134	WIPER FRAME
13	1	18-00-803	AGITATOR GRID
14	4	QI1328	HEX. HEAD CAP SCREW 1"-8NC x 4 1/2" LG.
15	4	QI233	REG. LOCK WASHER 1"
16	2	QI107	HEX. HEAD CAP SCREW 3/4"-10NC x 2 1/4" LG.
17	2	QI230	REG. LOCK WASHER 3/4"
18	8	QI131	HEX. HEAD CAP SCREW 5/8"-11NC x 4" LG.
19	8	QI1321	HEX. HEAD CAP SCREW 5/8"-18NF x 4" LG.
20	8	QI1137	HEX. HEAD CAP SCREW 5/8"-18NF x 3" LG.
21	4	QI1052	HEX. HEAD CAP SCREW 5/8"-11NC x 1 3/4" LG.
22	12	QI228	REG. LOCK WASHER 5/8"
23	8	01211-000005	HEX. NYLON INSERT LOCKNUT 5/8"-18NF
24	12	QI109	HEX. HEAD CAP SCREW 1/2"-13NC x 2 1/2" LG.
25	7	QI129	HEX. HEAD CAP SCREW 1/2"-13NC x 1 3/4" LG.
26	4	QI204	REG. FLAT WASHER 1/2"
27	12	QI226	REG. LOCK WASHER 1/2"
28	4	QI255	NARROW FLAT WASHER 5/8"
29	7	01217-000065	HEX. NYLON INSERT LOCKNUT 1/2"-13NC
30	6	QI124	FLAT HEAD CAP SCREW 3/8"-16NC x 1" LG.
31	6	QI142	FLAT HEAD CAP SCREW 3/8"-16NC x 1 3/4" LG.
32	2	QI400	RIVET 5/8"DIA. x 1 1/2" LG.

-NOTE-
PROPER OPERATION OF THIS ADAPTOR
DEPENDS ON THE STRUCTURAL
INTEGRITY OF THE COLUMBIA
MOLD WHICH WILL BE INSTALLED

THE INFORMATION CONTAINED IN THIS DRAWING IS THE SOLE PROPERTY OF THE BESSER COMPANY. REPRODUCTION IN PART OR WHOLE WITHOUT WRITTEN PERMISSION FROM BESSER IS PROHIBITED.			BORDER REV. B
COMMENTS:			
MODEL NO: V3	NEXT ASSY:	DRAWING LEVEL:	
HEAT TREAT CODE:	SURFACE COAT CODE:	WEIGHT: 1482.43 LBS.	
TOLERANCE UNLESS OTHERWISE SPECIFIED: DECIMAL: .XXXX" = ±.0005" .XXX" = ±.015" .XX" = ±.06" .X" = ±.1" ANGULAR = ±1° FRACTIONAL: ±1/16" HOLE LAYOUT ±1/32"		NAME	DATE
REV.	DESCRIPTION	DATE	PAR / BY
SCALE: 1:12			
DO NOT SCALE		CHK'D:	APP'D:

REV.	DESCRIPTION	DATE	PAR / BY
A	ADDED FLAT WASHER 3/8" (QI255) & REMOVED HEAD PLATE RETAINER SYSTEM	13-Feb-18	CDP
REVISIONS			

ADAPTOR FRAME ASSEMBLY TO ACCEPT
COLUMBIA 16 TYPE MOLDS OF 30.375" c/c x
18.813" & 20.813" WIDE AND MOLD SIDE BRACKET
MOUNTING POSITIONS OF 1.688" & 2.688"

SIZE **B** DWG. NO. **10-576466** SHEET 1 OF 1 REV. **A**